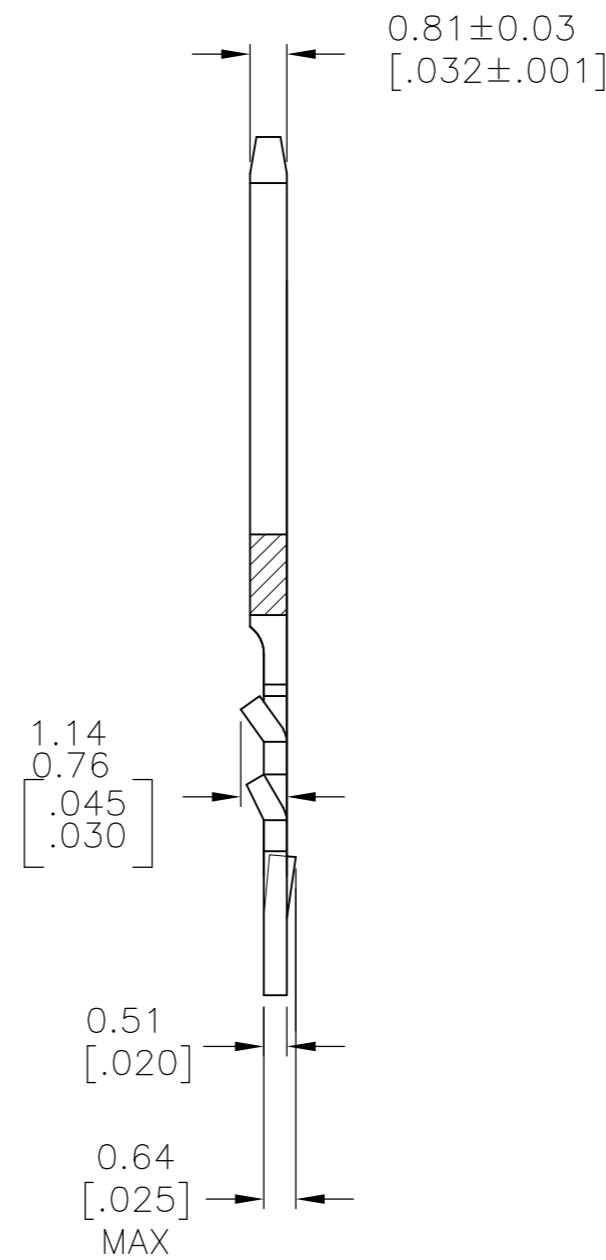
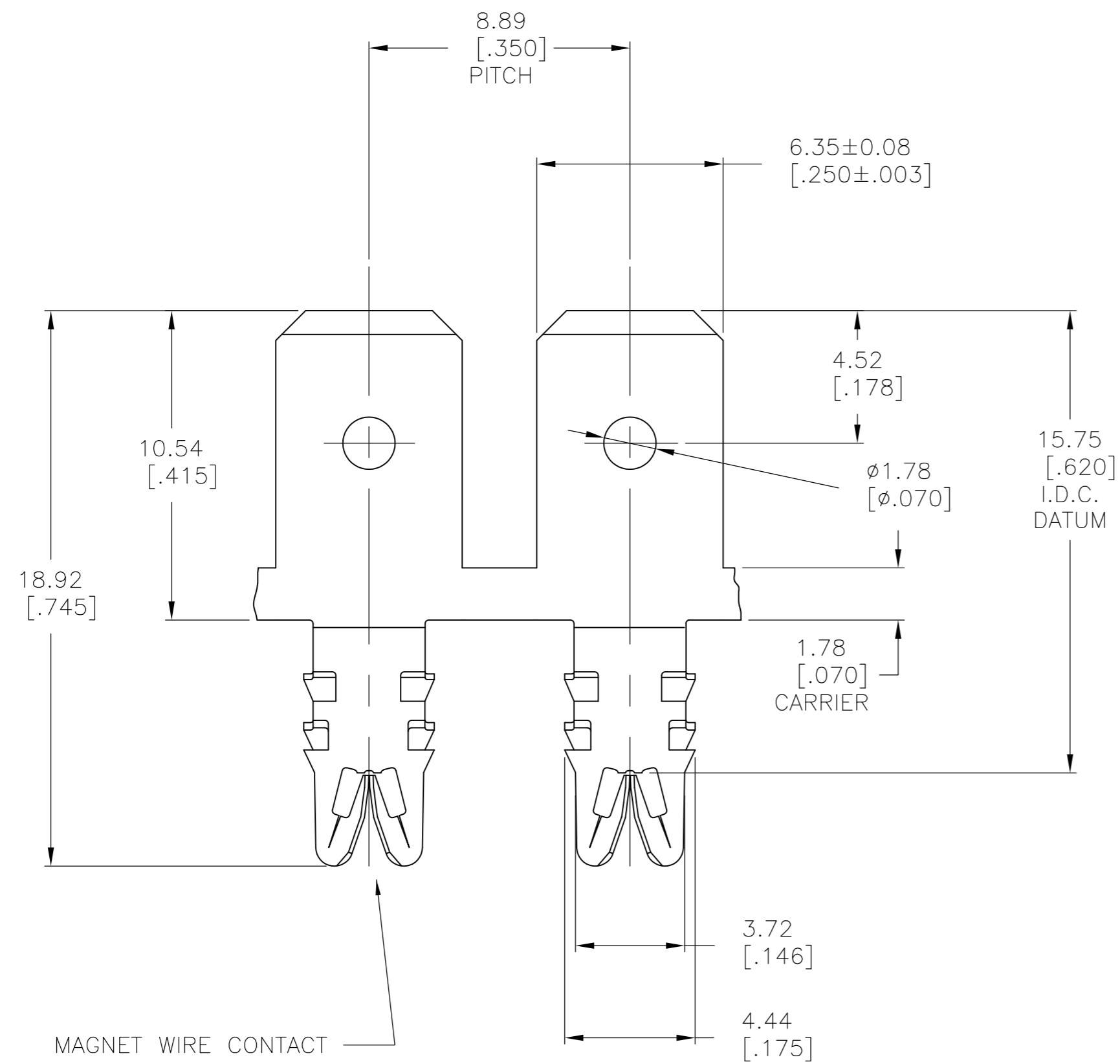
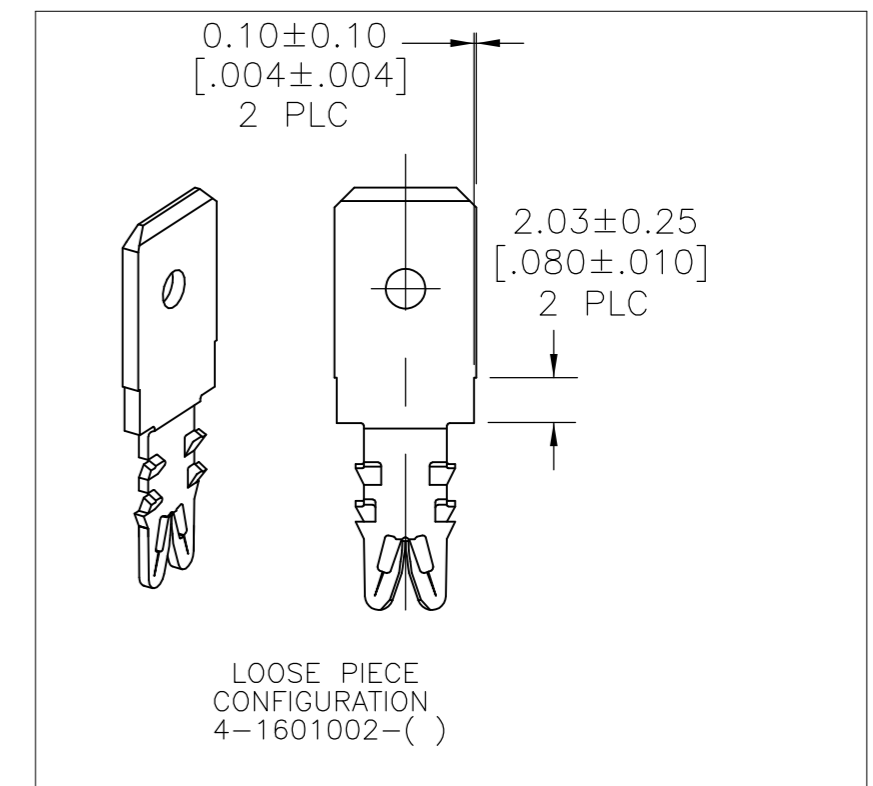


THIS DRAWING IS UNPUBLISHED. RELEASED FOR PUBLICATION
 © COPYRIGHT BY TYCO ELECTRONICS CORPORATION. ALL RIGHTS RESERVED.

| LOC | DIST | REVISIONS | | | |
|-----|------|-------------|---------------------------|---------|--------|
| P | LTR | DESCRIPTION | DATE | DWN | APVD |
| AF | 50 | D2 | REVISED PER ECR-08-000810 | 22JAN08 | HMR GJ |



- SPECIFICATIONS:
MAGNET WIRE #18 - #34 AWG COPPER, 1.02mm (.040") - 0.16mm (.006") DIA. OTHER SIZES MAY BE ACCOMMODATED, CONSULT TYCO ELECTRONICS FOR APPROVAL.
- POCKET RECOMMENDATION: 1601425. ALTERNATE POCKET: 1601421.
- TERMINAL APPLICATION TO COMPLY WITH TYCO ELECTRONICS SPECIFICATION 114-13166 FIGURE 6.



| | | |
|--|-----------------------|---------------------------|
| - | - | - |
| - | - | - |
| - | - | - |
| PRE TIN PLATE | 031-004-002 | 4-1601002-2 |
| PRE TIN PLATE | 131-004-002 | 2-1601002-2 |
| PRE TIN PLATE | 131-055-002 | 1601002-2 |
| FINISH | REFERENCE PART NUMBER | PART NUMBER |
| THIS DRAWING IS A CONTROLLED DOCUMENT. | | DWN 11JAN2002 J.WELLER |
| DIMENSIONS: mm [INCHES] | | CHK 11JAN2002 M.FEHER |
| TOLERANCES UNLESS OTHERWISE SPECIFIED: | | APVD 11JAN2002 K.RANDOLPH |
| 0 PLC ± - | 1 PLC ± 0.25 [.01] | PRODUCT SPEC 108-2085 |
| 2 PLC ± 0.13 [.005] | 3 PLC ± - | APPLICATION SPEC |
| 4 PLC ± - | ANGLES ± 2° | 3 |
| MATERIAL BRASS, 1/2 HARD | FINISH SEE TABLE | WEIGHT - |
| CUSTOMER DRAWING | | SCALE 6:1 |
| Tyco Electronics Corporation Harrisburg, PA 17105-3608 | | NAME |
| STD. RANGE WIRE TO .250 X .032 MULTI-BARB TAB SIAMEZE TERMINAL | | SIZE A2 |
| CAGE CODE 00779 | | DRAWING NO C=1601002 |
| RESTRICTED TO | | SHEET 1 OF 1 |
| REV D2 | | |